



Equipment list

Drums:

- Bassdrum
- 2 Toms
- 2 Snares!

Hardware:

- HiHat-Stand
- 2 Cymbalstands
- Drumchair
- Bassdrum-Pedal
- 2 Snarestands

Mics:

- Bass Drum-Mic
- 2 Snare-Mics
- 2 Tom-Mics
- 2 Overhead-Mics

Bass:

Bass Amp: min 300w wit microphone or line out

Guitar:

Guitar Amp: with Reverb – one or two microphones

Woodwinds:

- 1 mic for flute
- 1 mic for soprano sax
- 1 spare mic for tenorsax (will bring wireless)
- 2 DI Boxes – 1 for tenor sax effect out, 1 for gadget

Vocals:

2 mics for announcement – 1 at the front, 1 at the drums



Stage Plan

Bass Amp min. 300w
Line out or mic

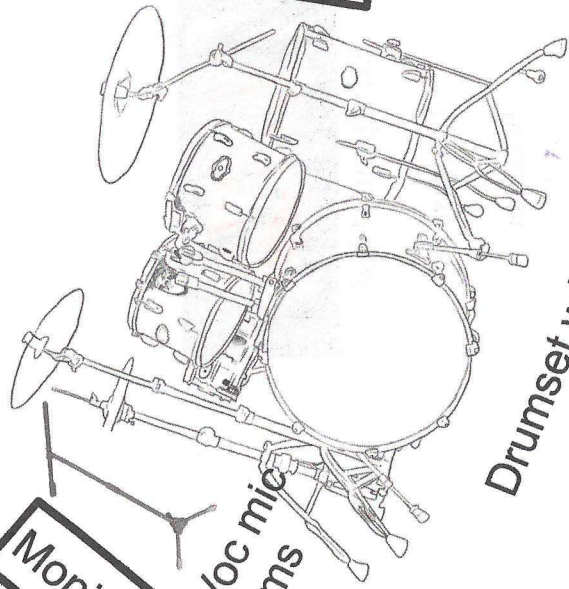
Guitar Amp with Reverb

Monitor 4

Monitor 2



Mic for guitar amp



Drumset w/mics

Voc mic
dms

Monitor 5

1 DI Box



Voc mic / announcements

Monitor 3

1 DI Box



2 Mics flute and sax

Monitor 1

A u d i e n c e